



*HIGH PRESSURE CLEANERS*

# PRICE LIST

2023

[www.e-mazzoni.it](http://www.e-mazzoni.it)

## K1000



TSD direct stop

### HOBBY

Electrical

- **DETERGENT TANK:** 4 L
- **MAX OUTPUT TEMPERATURE**

PART NUMBER	MODEL	L/MIN	BAR	RPM 50 HZ	HP	KW	VOLTS	HZ	PHASE	A 50 HZ	€
<b>3.023.14.116</b>	K1000	7	120	2800	1,6	1,2	230	50	1	7,7	<b>521,00</b>

## START CONDENSER

PART NUMBER	MODEL	€
<b>9.021.02.002</b>	KIT ELECTRIC START + CONDENSER PH1000 UK MF	<b>73,00</b>
<b>9.021.02.001</b>	KITSOFT START SYSTEM K/PH *UK* 70mf	<b>73,00</b>

## KM

### PROFESSIONAL

Electrical - Machines supplied standard without accessories

- **DETERGENT TANK:** --
- **MAX OUTPUT TEMPERATURE:** 65°C-149°F



TST total stop

PART NUMBER	MODEL	L/MIN	BAR	RPM 50 HZ	HP	KW	VOLTS	HZ	PHASE	A 50 HZ	WATER NOZZLE	€
<b>3.023.14.360</b>	KM300	10	150	1450	3	2,2	230	50	1	11,4	1504	<b>1.406,00</b>
<b>3.023.14.362</b>	KM350	13	160	1450	5,5	4	400	50	3	9,2	15045	<b>1.406,00</b>
<b>3.023.14.338</b>	KM400	15	200	1450	7,5	5,5	400	50	3	11	1505	<b>1.606,00</b>

## ACCESSORIES FOR MODELS - KM / KS



PART NUMBER	MODEL	€
<b>3.045.04.010</b>	KIT ACCESSOIRES FOR KM300-KM350 HOSE+GUN+LANCE	<b>212,00</b>
<b>3.045.04.011</b>	KIT ACCESSOIRES FOR KM400 HOSE+GUN+LANCE	<b>224,00</b>

## KC



TST total stop

### PROFESSIONAL

Electrical

- **DETERGENT TANK:** 4 L
- **MAX OUTPUT TEMPERATURE:** 65°C-149°F

PART NUMBER	MODEL	L/MIN	BAR	RPM 50 HZ	HP	KW	VOLTS	HZ	PHASE	A 50 HZ	WATER NOZZLE	€
<b>3.023.14.354</b>	KC3005	10	150	1450	3	2,2	230	50	1	13,5	1504	<b>1.716,00</b>
<b>3.023.14.342</b>	KC4005	15	200	1450	7,5	5,5	400	50	3	11	1505	<b>2.011,00</b>

## KX



TST total stop

### PROFESSIONAL

Electrical

- **DETERGENT TANK:** 5 L
- **MAX OUTPUT TEMPERATURE:** 65°C-149°F

PART NUMBER	MODEL	L/MIN	BAR	RPM 50 HZ	HP	KW	VOLTS	HZ	PHASE	A 50 HZ	WATER NOZZLE	€
<b>3.023.14.355</b>	KX3005	10	150	1450	3	2,2	230	50	1	11,4	1504	<b>1.942,00</b>
<b>3.023.14.343</b>	KX4005	15	200	1450	7,5	5,5	400	50	3	11	1505	<b>2.150,00</b>
<b>3.023.14.366</b>	KX4055	21	150	1450	7,5	5,5	400	50	3	11	1508	<b>2.150,00</b>

## KX - HIGH TEMPERATURE VERSION

### PROFESSIONAL

Electrical  
Total Stop 5 sec.  
High Temperature seals ' pump and bypass  
No dampner

- **DETERGENT TANK:** 5 L
- **MAX OUTPUT TEMPERATURE:** 85°C-185°F



TST total stop

PART NUMBER	MODEL	L/MIN	BAR	RPM 50 HZ	HP	KW	VOLTS	HZ	PHASE	A 50 HZ	WATER NOZZLE	€
<b>3.023.14.493</b>	KX3005	10	150	1450	3	2,2	230	50	1	11,4	1505	<b>2.643,00</b>
<b>3.023.14.467</b>	KX4005	15	200	1450	7,5	5,5	400	50	3	11	1505	<b>2.850,00</b>
<b>3.023.14.419</b>	KX4055	21	150	1450	7,5	5,5	400	50	3	11	1508	<b>2.850,00</b>

## KC

### HEAVY DUTY

Electrical

- **DETERGENT TANK:** --
- **MAX OUTPUT TEMPERATURE:** 65°C-149°F



TST total stop

PART NUMBER	MODEL	L/MIN	BAR	RPM 50 HZ	HP	KW	VOLTS	HZ	PHASE	A 50 HZ	WATER NOZZLE	€
<b>3.023.14.361</b>	KC5000	21	200	1450	10	7,5	400	50	3	14,7	1507	<b>2.931,00</b>
<b>3.023.14.392</b>	KC5050	25	200	1450	15	11	400	50	3	21	1508	<b>3.343,00</b>
<b>3.023.14.391</b>	KC6000	30	200	1450	15	11	400	50	3	21	1510	<b>3.632,00</b>

# FX



TST total stop

## HEAVY DUTY

Electrical

- **DETERGENT TANK:** 5 L
- **MAX OUTPUT TEMPERATURE:** 65°C-149°F

PART NUMBER	MODEL	L/MIN	BAR	RPM 50 HZ	HP	KW	VOLTS	HZ	PHASE	A 50 HZ	WATER NOZZLE	€
<b>3.023.14.443</b>	FX6000	30	200	1450	15	11	400	50	3	21	2508	<b>3.762,00</b>

# K



TST total stop

## HEAVY DUTY

Electrical

- **DETERGENT TANK:** 5 L
- **MAX OUTPUT TEMPERATURE:** 65°C-149°F

PART NUMBER	MODEL	L/MIN	BAR	RPM 50 HZ	HP	KW	VOLTS	HZ	PHASE	A 50 HZ	WATER NOZZLE	€
<b>3.023.14.393</b>	K5000	21	200	1450	10	7,5	400	50	3	14,7	1507	<b>2.854,00</b>
<b>3.023.14.386</b>	K6000	30	200	1450	15	11	400	50	3	21	1510	<b>3.457,00</b>
<b>3.023.14.387</b>	K7000	40	150	1450	15	11	400	50	3	21	15035	<b>4.528,00</b>
<b>3.023.14.388</b>	K8000	15	400	1450	15	11	400	50	3	21	15035	<b>4.891,00</b>
<b>3.023.14.389</b>	K9000	18	300	1450	15	11	400	50	3	21	15045	<b>3.905,00</b>

**HEAVY DUTY**

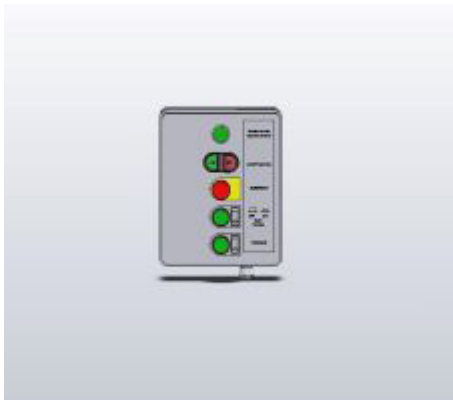
Electrical

- **DETERGENT TANK:** --
- **MAX OUTPUT TEMPERATURE:** 65°C-149°F



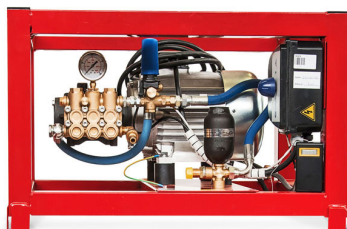
TST total stop

PART NUMBER	MODEL	L/MIN	BAR	RPM 50 HZ	HP	KW	VOLTS	HZ	PHASE	A 50 HZ	WATER NOZZLE	€
<b>3.023.14.345</b>	KSF400	15	200	1450	7,5	5,5	400	50	3	11	15045	<b>3.503,00</b>
<b>3.023.14.347</b>	KSF500	21	200	1450	10	7,5	400	50	3	14,7	15065	<b>3.770,00</b>
<b>3.023.14.384</b>	KSF600	30	200	1450	15	11	400	50	3	21	1510	<b>4.586,00</b>

**ACCESSORIES FOR KSF**


PART NUMBER	MODEL	€
<b>2.031.04.171</b>	ELECTRIC BOARD FOR REMOTE CONTROL	<b>389,00</b>

## KS



### HEAVY DUTY

Electrical - Machines supplied standard without accessories

- **DETERGENT TANK:** --
- **MAX OUTPUT TEMPERATURE:** 65°C-149°F

TST total stop - On demand available version in high temperature

PART NUMBER	MODEL	L/MIN	BAR	RPM 50 HZ	HP	KW	VOLTS	HZ	PHASE	A 50 HZ	WATER NOZZLE	€
<b>3.023.14.348</b>	KS400	15	200	1450	7,5	5,5	400	50	3	11	15045	<b>2.098,00</b>
<b>3.023.14.349</b>	KS450	21	150	1450	7,5	5,5	400	50	3	11	1508	<b>2.098,00</b>
<b>3.023.14.350</b>	KS500	21	200	1450	10	7,5	400	50	3	14,7		<b>2.466,00</b>
<b>3.023.14.403</b>	KS600	30	200	1450	15	11	400	50	3	21	1510	<b>3.282,00</b>

## KB



### SEMI PROFESSIONAL

Petrol - HONDA

- **DETERGENT TANK:** 5 L
- **MAX OUTPUT TEMPERATURE:** 45°

TVS thermal Valve System

PART NUMBER	MODEL	L/MIN	BAR	RPM	HP	KW	POWER SUPPLY	€
<b>3.023.34.011</b>	KB2000	11	140	3600	5,5	4	BENZINA/ GASOLINE	<b>1.926,00</b>



TVS thermal Valve System

**PROFESSIONAL**

Petrol (3.023.34.306- ZANETTI -- 3.023.34.016 - HONDA)

- **DETERGENT TANK:** 5 L
- **MAX OUTPUT TEMPERATURE:** 45°

PART NUMBER	MODEL	L/MIN	BAR	RPM	HP	KW	POWER SUPPLY	€
<b>3.023.34.306</b>	KB3001	11	160	1450	5,5	4	BENZINA/ GASOLINE	<b>1.777,00</b>
<b>3.023.34.016</b>	KB3001	11	160	1450	5,5	4	BENZINA/ GASOLINE	<b>2.141,00</b>



TVS thermal Valve System

**HEAVY DUTY**

Petrol - ZANETTI

- **DETERGENT TANK:** 5L
- **MAX OUTPUT TEMPERATURE:** 45°

PART NUMBER	MODEL	L/MIN	BAR	RPM	POWER SUPPLY	WATER NOZZLE	€
<b>3.023.34.304</b>	KB4025	18	280	1450	BENZINA/ GASOLINE	15045	<b>3.632,00</b>



## KXSB



### HEAVY DUTY

Petrol ZANETTI

- **DETERGENT TANK:** --
- **MAX OUTPUT TEMPERATURE:** 45°

TVS thermal Valve System

PART NUMBER	MODEL	L/MIN	BAR	RPM	HP	KW	POWER SUPPLY	WATER NOZZLE	€
<b>3.023.34.307</b>	KXSB15500	15	500	1450	25	18,6	BENZINA/ GASOLINE	1503	<b>10.216,00</b>
<b>3.023.34.309</b>	KXSB43170	43	170	1450	18,9	14,2	BENZINA/ GASOLINE	1514	<b>9.846,00</b>

## KXS



### HEAVY DUTY

Electrical

- **DETERGENT TANK:** --
- **MAX OUTPUT TEMPERATURE:** 65°C-149°F

TST total stop

PART NUMBER	MODEL	L/MIN	BAR	RPM 50 HZ	HP	KW	VOLTS	HZ	PHASE	A 50 HZ	WATER NOZZLE	€
<b>3.023.14.452</b>	KXS 15500	15	500	1450	20	15	400	50	3	28	15025	<b>7.868,00</b>
<b>3.023.14.446</b>	KXS 21500	21	500	1450	30	22	400	50	3	39,5	1504	<b>9.542,00</b>
<b>3.023.14.437</b>	KXS 43/190	43	190	1450	20	15	400	50	3	28	1514	<b>8.331,00</b>



TST total stop

**SEMIPROFESSIONAL**

Electrical/Diesel

- **DIESEL TANK:** 18L
- **ANTI-LIMESCALE TANK:** --
- **DETERGENT TANK:** 8L
- **MAX OUTPUT TEMPERATURE:** 90°C - 194°F

PART NUMBER	MODEL	L/MIN	BAR	RPM 50 HZ	HP	KW	VOLTS	HZ	PHASE	A 50 HZ	WATER NOZZLE	KCAL/H	€
<b>3.023.24.003N</b>	PH2000	10	140	2800	3	2,2	230	50	1	11,4	1504	37,000	<b>2.174,00</b>



TST total stop

**PROFESSIONAL**

Electrical/Diesel

- **DIESEL TANK:** 20L
- **ANTI-LIMESCALE TANK:** --
- **DETERGENT TANK:** --
- **MAX OUTPUT TEMPERATURE:** 150°C - 302°F

PART NUMBER	MODEL	L/MIN	BAR	RPM 50 HZ	HP	KW	VOLTS	HZ	PHASE	A 50 HZ	WATER NOZZLE	KCAL/H	€
<b>3.023.24.343</b>	MH3001	11	140	1450	3	2,2	230	50	1	13,5	15045	50,000	<b>3.010,00</b>
<b>3.023.24.344</b>	MH3061	13	170	1450	5,5	4	400	50	3	9,2	15045	50,000	<b>3.046,00</b>
<b>3.023.24.328</b>	MH4000	15	200	1450	7,5	5,5	400	50	3	11	15045	50,000	<b>3.338,00</b>

## ACCESSORIES FOR MH



PART NUMBER	MODEL	€
9.023.24.005	KIT DETERGENT AND TANK LOW PRESSURE MH	110,00

## PH



### INDUSTRIAL

Electrical/Diesel

- **DIESEL TANK:** 45L
- **ANTI-LIMESCALE TANK:** 1L
- **DETERGENT TANK:** 10L
- **MAX OUTPUT TEMPERATURE:** 150°

TST total stop

PART NUMBER	MODEL	L/MIN	BAR	RPM 50 HZ	HP	KW	VOLTS	HZ	PHASE	A 50 HZ	WATER NOZZLE	KCAL/H	€
3.023.24.353	PH3025	11	140	1450	3,2	2,4	230	50	1	12,5	1505	50,000	3.801,00
3.023.24.354	PH3040	13	140	1450	4,3	3,2	230	50	1	17,1	15065	50,000	4.170,00
3.023.24.329	PH4000	15	200	1450	7,7	5,7	400	50	3	11,7	15045	50,000	4.045,00



TST total stop

PART NUMBER	MODEL	L/MIN	BAR	RPM 50 HZ	HP	KW	VOLTS	HZ	PHASE	A 50 HZ	WATER NOZZLE	KCAL/H	€
<b>3.023.24.340</b>	W4000	15	200	1450	7,7	5,7	400	50	3	11,7	15045	50,000	<b>4.791,00</b>

TST total stop

**HEAVY DUTY**

Electrical/Diesel

- **DIESEL TANK:** 30L
- **ANTI-LIMESCALE TANK:** 1,5
- **DETERGENT TANK:** 16L
- **MAX OUTPUT TEMPERATURE:** 150°

PART NUMBER	MODEL	L/MIN	BAR	RPM 50 HZ	HP	KW	VOLTS	HZ	PHASE	A 50 HZ	WATER NOZZLE	KCAL/H	€
<b>3.023.24.330</b>	W5000	21	200	1450	10,3	7,7	400	50	3	15,5	1507	80,000	<b>5.213,00</b>
<b>3.023.24.356</b>	W5050	25	200	1450	15	11,2	400	50	3	21,5	2508	90,000	<b>5.677,00</b>
<b>3.023.24.360</b>	W 15-400	15	400	1450	15	11,2	400	50	3	21,5	1503	80,000	<b>8.303,00</b>



TST total stop

PART NUMBER	MODEL	L/MIN	BAR	RPM 50 HZ	HP	KW	VOLTS	HZ	PHASE	A 50 HZ	WATER NOZZLE	KCAL/H	€
<b>3.023.24.355</b>	W6000	30	200	1450	15,5	11,5	400	50	3	22,1	1510	110,000	<b>7.005,00</b>

## WX



### HEAVY DUTY

Electrical/Diesel

- **DIESEL TANK:** 30L
- **ANTI-LIMESCALE TANK:** 1,5L
- **DETERGENT TANK:** 5 L
- **MAX OUTPUT TEMPERATURE:** 150°

TST total stop

PART NUMBER	MODEL	L/MIN	BAR	RPM 50 HZ	HP	KW	VOLTS	HZ	PHASE	A 50 HZ	WATER NOZZLE	KCAL/H	€
<b>3.023.24.331</b>	WX4000	15	200	1450	7,7	5,7	400	50	3	11,7	15045	50,000	<b>6.123,00</b>
<b>3.023.24.327</b>	WX5000	21	200	1450	10,3	7,7	400	50	3	15,5	1507	80,000	<b>6.376,00</b>
<b>3.023.24.363</b>	WX6000	30	200	1450	15,5	11,3	400	50	3	22,1	1510	110,000	<b>7.746,00</b>

## WSF



### HEAVY DUTY

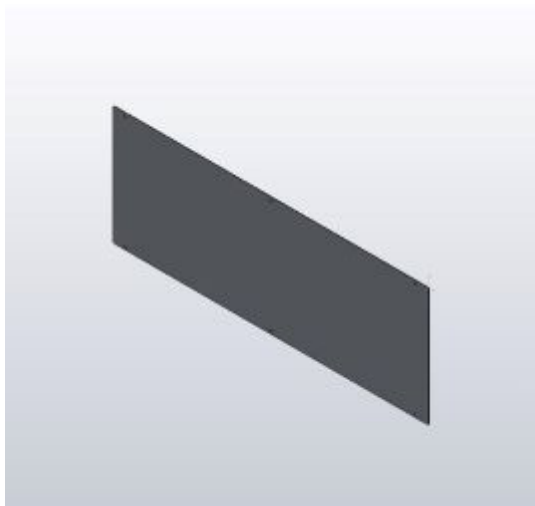
Electrical/Diesel

- **DIESEL TANK**
- **ANTI-LIMESCALE TANK**
- **DETERGENT TANK**
- **MAX OUTPUT TEMPERATURE:** 150°

TST total stop

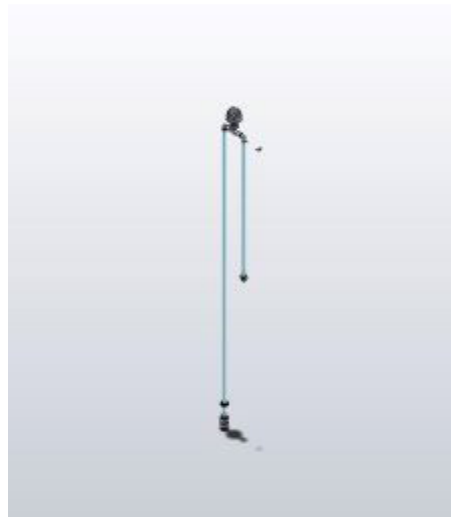
PART NUMBER	MODEL	L/MIN	BAR	RPM 50 HZ	HP	KW	VOLTS	HZ	PHASE	A 50 HZ	WATER NOZZLE	KCAL/H	€
<b>3.023.24.333</b>	WSF4000	15	200	1450	7,7	5,7	400	50	3	11,7	1505	50,000	<b>5.838,00</b>
<b>3.023.24.334</b>	WSF4050	21	150	1450	7,7	5,7	400	50	3	11,7	15075	80,000	<b>5.838,00</b>
<b>3.023.24.335</b>	WSF5000	21	200	1450	10,3	7,7	400	50	3	15,5	25065	80,000	<b>6.169,00</b>
<b>3.023.24.364</b>	WSF6000	30	200	1450	15,5	11,3	400	50	3	22,1	1510	110,000	<b>7.914,00</b>

## BACK PANNEL FOR WSF



PART NUMBER	MODEL	€
1.075.04.007	REAR PANEL*WSF*	249,00

## KIT DEPERGENT FOR WSF



PART NUMBER	MODEL	€
3.003.34.002	COMPLETE DETERGENT VALVE WSF *HP*	48,00

## SUPPORT FOR WSF

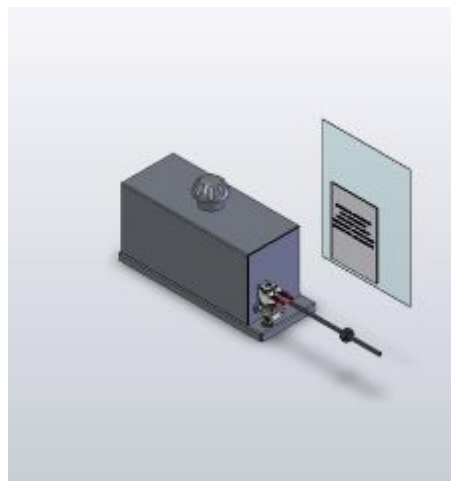


PART NUMBER	MODEL	€
1.105.04.009	PAINTED STAND FOR WSF+PIECES 2.102.04.005	506,00

## DIESEL TANK FOR WSF

PART NUMBER	MODEL	€
3.056.04.001	COMPLETE DIESEL TANK WSF4000/5050	707,00

## ANTI SCALE TANK FOR WSF



PART NUMBER	MODEL	€
3.056.04.002	ANTI SCALE TANK FOR WSF	682,00

## REMOTE CONTROL KIT FOR WSF



PART NUMBER	MODEL	€
<b>9.039.04.001</b>	REMOTE CONTROL KIT	<b>405,00</b>


**HEAVY DUTY**

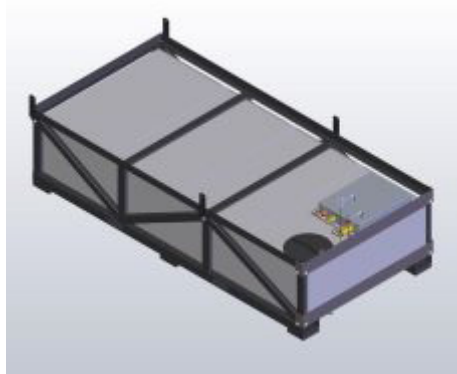
Diesel - KOHLER

- **DIESEL TANK:** 120L
- **MAX OUTPUT TEMPERATURE:** 150°

PART NUMBER	MODEL	L/MIN	BAR	RPM	HP	KW	POWER SUPPLY	KCAL/H	€
<b>3.023.44.002</b>	WD6050	32	300	3000	36	26	DIESEL	110,000	<b>35.027,00</b>



## WATER TANK FOR WD



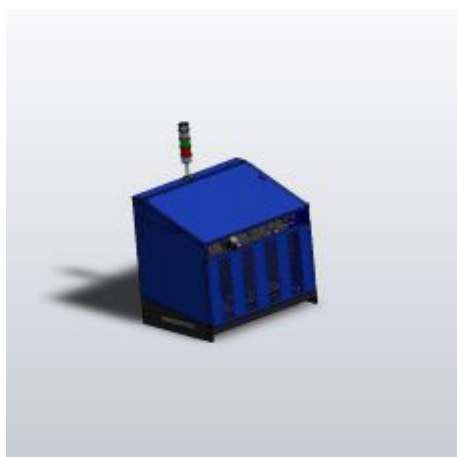
PART NUMBER	MODEL	€
2.040.04.034	KIT WATER TANK WD 500 L.	4.850,00

## GUN FOR WD



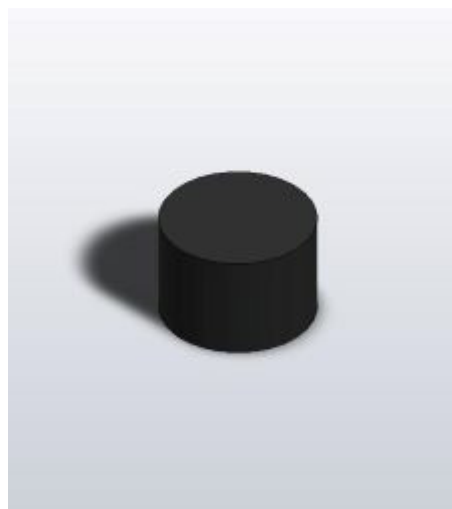
PART NUMBER	MODEL	€
3.018.24.004	GUN 400 BAR	281,00

## HOSE REEL BOX FOR WD



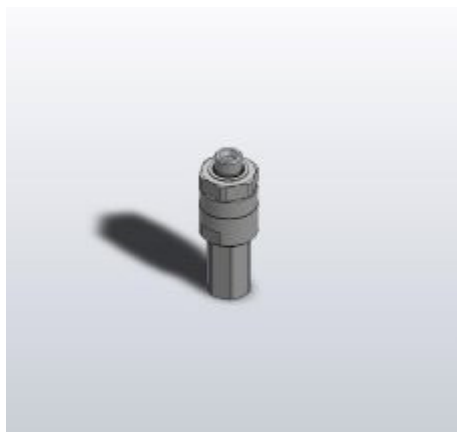
PART NUMBER	MODEL	€
3.070.04.002	KIT HOSE REEL BOX ( H.P. HOSE 30 M + L.P.HOSE 30 M) FOR WD	5.579,00

## LANCE HANDLE FOR WD



PART NUMBER	MODEL	€
3.019.04.001	LANCE HANDLE	7,00

## SWIVEL FOR WD



PART NUMBER	MODEL	€
3.012.14.001	SWIVEL 3/8" G-MF	440,00

## LANCE FOR WD

PART NUMBER	MODEL	€
3.022.14.001	THERMIC LANCE L.1200	155,00

## FOR COLD WATER H.P.CLEANERS

PART NUMBER	MODEL	€
9.018.04.001	FIRST AID KIT FOR K1000	90,00
9.018.04.003	FIRST AID KIT K2000	150,00
9.018.04.035	FIRST AID KIT FOR KM300/350 MAZZONI *PM*	172,00
9.018.04.048	FIRST AID KIT FOR KM400/450 MMD	172,00
9.018.04.034	FIRST AID KIT FOR KC/KX3000/05 *PM*	172,00
9.018.04.032	FIRST AID KIT FOR KC/FX4000 *MM*	172,00
9.018.04.016	FIRST AID KIT FOR KC4050	172,00
9.018.04.057	FIRST AID KIT K/KC5000	241,00
9.018.04.045	FIRST ASSISTANCE KIT K/KC6000 - GM -	241,00
9.018.04.055	FIRST AID KIT FOR K7000 - GM	296,00
9.018.04.052	FIRST AID KIT FOR K8000 *XM*	296,00
9.018.04.043	FIRST AID KIT FOR KSF300/350 - PM	231,00
9.018.04.044	FIRST AID KIT FOR KSF400/450/5000MAZZONI *MMD*	231,00
9.018.04.054	FIRST AID KIT FOR KSF6000 *GM*	231,00
9.018.04.056	FIRST AID KIT FOR KS300 - PM	172,00
9.018.04.050	FIRST AID KIT FOR KS400 *MMD*	172,00
9.018.04.059	FIRST AID KIT FOR KS500 - MMD	172,00
9.018.04.058	FIRST AID KIT FOR KS600 MAZZONI GM	172,00
9.018.04.047	FIRST AID KIT FOR KB3001 *PM*	105,00
9.018.04.060	FIRST AID KIT FOR KB4025	172,00

## FOR HOT WATER H.P.CLEANERS

PART NUMBER	MODEL	€
9.018.04.017	FIRST AID KIT FOR PH1000	121,00
9.018.04.005	FIRST AID KIT PH2000	210,00
9.018.04.030	FIRSTAID KIT FOR MH3001 - PM -	267,00
9.018.04.026	FIRST AID KIT MH3061	267,00
9.018.04.037	FIRST AID KIT MH4000	267,00
9.018.04.064	FIRST AID KIT PH3025 - MAZZONI	345,00
9.018.04.065	FIRST AID KIT FOR PH3040	345,00
9.018.04.020	FIRST AID KIT FOR PH3060 - MMD	345,00
9.018.04.033	FIRST AID KIT PH4000 - MAZZONI	345,00
9.018.04.049	FIRST AID KIT FOR W/WX4000 *MM*	315,00
9.018.04.042	FIRST AID KIT FOR W/WX/WSF5000	315,00
9.018.04.041	FIRST AID KIT FOR W/WX/WSF5025	315,00
9.018.04.004	FIRST AID KIT FOR W/WX/WSF6000	315,00
9.018.04.063	FIRST AID KIT FOR ST4000	1.125,00



## PROFESSIONAL

Electrical/Diesel

- **DIESEL TANK:** 45L
- **ANTI-LIMESCALE TANK:** 1L
- **DETERGENT TANK:** 10L
- **MAX OUTPUT TEMPERATURE:** 150°

PART NUMBER	MODEL	L/MIN	BAR	RPM 50 HZ	HP	KW	VOLTS	HZ	PHASE	A 50 HZ	€
3.023.54.001	ST4000	14	9,5	2750	0,16	0,12	230	50	1	1,1	6.985,00

## FIREBOX 15 L



- **DIESEL TANK:** 16 L
- **KCAL/H:** 46,000
- **MIN PRESSURE INPUT (BAR):** 20
- **INLET:** G 1/2"
- **OUTLET:** G 1/2"
- **NET WEIGHT (KG):** 85
- **MAX. TEMPERATURE OUTLET (°C):** 150°C

PART NUMBER	L/MIN	BAR	VOLTS	HZ	KW	COIL LENGTH (MT)	COIL THICKNESS (MM)	DIESEL NOZZLE	A 50 HZ	DIESEL CONSUMPTION (LT/H)	€
<b>3.064.04.009</b>	15	250	12	DC	58,15	24	2,3	1,25	37	4,70	<b>2.940,00</b>
<b>3.064.04.002</b>	15	250	230	50	58,15	24	2,3	1,25	2,36	4,70	<b>2.640,00</b>

## FIREBOX 21 L



- **DIESEL TANK:** 16 L
- **KCAL/H:** 80,000
- **MIN PRESSURE INPUT (BAR):** 20
- **INLET:** G 1/2"
- **OUTLET:** G 1/2"
- **NET WEIGHT (KG):** 85
- **MAX. TEMPERATURE OUTLET (°C):** 150°C

PART NUMBER	L/MIN	BAR	VOLTS	HZ	KW	COIL LENGTH (MT)	COIL THICKNESS (MM)	DIESEL NOZZLE	A 50 HZ	DIESEL CONSUMPTION (LT/H)	€
<b>3.064.04.007</b>	21	300	24	DC	93	35	2,6	2	16,5	7,55	<b>3.025,00</b>
<b>3.064.04.004</b>	21	300	230	50	93	35	2,6	2	2,36	7,55	<b>2.705,00</b>

## FIREBOX 25 L



- **DIESEL TANK:** 16 L
- **KCAL/H:** 90,000
- **MIN PRESSURE INPUT (BAR):** 20
- **INLET:** G 1/2
- **OUTLET:** G 1/2
- **NET WEIGHT (KG):** 85
- **MAX. TEMPERATURE OUTLET (°C):** 150°C

PART NUMBER	L/MIN	BAR	VOLTS	HZ	KW	COIL LENGHT (MT)	COIL THIKNESS (MM)	DIESEL NOZZLE	A 50 HZ	DIESEL CONSUMPTION (LT/H)	€
<b>3.064.04.010</b>	25	300	12	DC	105	35	2,6	2,25	37	8,5	<b>3.133,00</b>
<b>3.064.04.008</b>	25	300	24	DC	105	35	2,6	2,25	16,5	8,5	<b>3.123,00</b>
<b>3.064.04.006</b>	25	300	230	50	105	35	2,6	2,25	2,36	8,5	<b>2.716,00</b>
<b>3.064.04.015</b>	25	400	230	50	105	35	2,6	2,25	2,36	8,5	<b>3.231,00</b>
<b>3.064.04.016</b>	25	500	230	50	105	35	3	2,25	2,36	8,5	<b>3.807,00</b>

## FIREBOX 30 L



- **DIESEL TANK:** 16 L
- **KCAL/H:** 110,000
- **MIN PRESSURE INPUT (BAR):** 20
- **INLET:** G 1/2"
- **OUTLET:** G 1/2"
- **NET WEIGHT (KG):** 85
- **MAX. TEMPERATURE OUTLET (°C):** 150°C

PART NUMBER	L/MIN	BAR	VOLTS	HZ	KW	COIL LENGHT (MT)	COIL THIKNESS (MM)	DIESEL NOZZLE	A 50 HZ	DIESEL CONSUMPTION (LT/H)	€
<b>3.064.04.038</b>	30	500	12	DC	128	38,5	3	2,5	61	9,45	<b>5.104,00</b>
<b>3.064.04.039</b>	30	500	24	DC	128	38,5	3	2,5	30	9,45	<b>5.104,00</b>
<b>3.064.04.040</b>	30	500	230	50	128	38,5	3	2,5	4	9,45	<b>4.770,00</b>

**SPARE PARTS FOR VALVES**



PART NUMBER	MODEL	€
9.001.04.011	PY-PASS VALVE KIT VRB **KSF**	152,00

**SPARE PARTS FOR VALVES**



PART NUMBER	MODEL	€
9.001.04.022	BY-PASS VALVE KIT VRB *KC4000/4005* NEW	197,00

**SPARE PARTS FOR VALVES**



PART NUMBER	MODEL	€
9.001.04.010	BY-PASS VALVE KIT VRB **MH3001/3061**	169,00

**SPARE PARTS FOR VALVES**



PART NUMBER	MODEL	€
9.001.04.023	BY PASS VALVE KIT *KC3000/3055* NEW	197,00

**SPARE PARTS FOR VALVES**



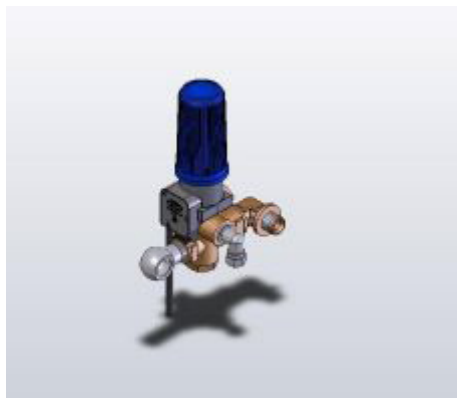
PART NUMBER	MODEL	€
9.001.04.002	BY-PASS VALVE KIT VRB **W/WSF* TST	155,00

**SPARE PARTS FOR VALVES**



PART NUMBER	MODEL	€
9.001.04.026	KIT VALVE REPLACEMENT VRB *PH3060/400* NEW	197,00

## SPARE PARTS FOR VALVES



PART NUMBER	MODEL	€
<b>9.001.04.024</b>	KIT VALVE REPLACEMENT VRB *MH3001/3061*NEW	<b>197,00</b>

## SPARE PARTS FOR VALVES



PART NUMBER	MODEL	€
<b>9.001.04.029</b>	BYPASS VALVE FOR *KC5000/6000* NEW MODEL	<b>197,00</b>

## SPARE PARTS FOR VALVES



PART NUMBER	MODEL	€
<b>9.001.04.030</b>	KIT RICAMBIO VALVOLA VRB KC4000-4005 HT	<b>215,00</b>

## SPARE PARTS FOR VALVES



PART NUMBER	MODEL	€
<b>9.001.04.032</b>	KIT RICAMBIO VALVOLA VRB KM4000	<b>197,00</b>

## SPARE PARTS FOR VALVES



PART NUMBER	MODEL	€
<b>9.001.04.027</b>	KIT VALVE VRB *W* NEW	<b>197,00</b>

## SPARE PARTS FOR VALVES



PART NUMBER	MODEL	€
<b>9.001.04.031</b>	KIT RICAMBIO VALVOLA VRB KM3000	<b>197,00</b>

## SPARE PARTS FOR VALVES



PART NUMBER	MODEL	€
<b>9.003.02.007</b>	KIT REPLACEMENT VBR TS	<b>36,00</b>
<b>9.003.02.008</b>	KIT GASKET	<b>33,00</b>

## SPARE PARTS FOR VALVES



PART NUMBER	MODEL	€
<b>9.001.02.006</b>	KIT STEM CONNECTOR WITH VIBRANT AND SEALS	<b>47,00</b>
<b>9.001.02.008</b>	Kit system HT valve	<b>59,00</b>





PART NUMBER	MODEL	K1000-K2000- KB2000	KB4025 - K5000/ K5050 - K6000	KC5000-25-50- KC6000	KC3000/5/50/55- KC4000/5/50/55	PH2000 - PH3050	PH3025/60/80 - PH4000	W4000/6000	WX	KX	MH3001/3061/4000	€
2.071.04.002	HOSE REEL COMPLETE *K1020/2000/KB2000*	x										223,00
2.071.04.019	HOSE REEL KX KC LONG HANDLE 20 MT									x		230,00
2.071.04.004	HOSE REEL PH2000/3050					x						228,00
2.071.04.007	HOSE REEL 30/40m **W**							x				281,00
2.071.04.005	HOSE REEL COMPLETE K5000/ K6000/KB4000		x									230,00
2.071.04.015	HOSE REEL "WX" 20 MT								x			187,00
2.071.04.017	HOSE REEL *KC5000/6000*30- 40 MT*			x								248,00
2.071.04.018	HOSE *K5000/6000*KB4000* 40 METERS		x									243,00
2.071.04.006	HOSE REEL COMPLETE KC3000/4055				x							230,00
2.071.04.009	HOSE REEL *PH4000*						x					230,00
2.071.04.008	HOSE REELS COMPLETE KC5000/6000			x								230,00
2.071.04.012	HOSE REEL COMPLETE 30/40MT **PH4000**						x					250,00
2.071.04.013	HOSE REEL *MH*										x	223,00
2.071.04.016	HOSE REEL COMPLETE *WX* 30/40MT								x			245,00
9.035.04.001	KIT HOSE REEL STEEL HANDLE	x			x							166,00
9.035.04.003	IRON HANDLE FOR K2000/ KC4005 - LONG VERSION WITH DETERGENT	x			x							114,00

## HOSE REELS



PART NUMBER	MODEL	€
9.00.9021+9.00.9768	AUTOMATIC REWIND-DRIVEN HOSE REELS COMPLETE WITH PIVOTING WALL MOUNTING	603,00

## HOSE REELS



PART NUMBER	MODEL	€
9.00.9521+9.00.9765	AUTOMATIC REWIND DRIVEN HOSE REEL IN STAINLESS STEEL WITH PIVOT BRACKET	1.159,00

## HIGH PRESSURE HOSES

PART NUMBER	MODEL	€
2.006.12.002	H.P.HOSE H1000 140BAR M22 6M	17,00

## HIGH PRESSURE HOSES



PART NUMBER	MODEL	€
2.006.12.003	HOSE H1000 140 BAR M22 M-F 6M. -20+80	34,00
2.006.24.041	HOSE 1/4 R1 8M 190BAR 3/8G MF + A.R	72,00
2.006.24.039	HOSE 5/16 R1 210B 10M 3/8"G-MF + ARF	100,00

## HIGH PRESSURE HOSES



PART NUMBER	MODEL	€
2.006.24.069	H.P.HOSE 5/16"400BAR 3/8G-FM 10M+ARF-G M22	121,00
2.006.24.071	H.P.HOSE 5/16" 400BAR 3/8G-FM 20M+ARF-G M22	239,00
2.006.24.038	HOSE 3/8 400BAR 3/8"G-MF 10MT. + ARF M22	120,00
2.006.24.045	HOSE 3/8" 400BAR 20MT. 3/8"G-MF + ARF	239,00

## HIGH PRESSURE HOSES



PART NUMBER	MODEL	€
4.007.24.032	HOSE 3/8" 600BAR FD-FD 3/8" + MAN 10MT.	636,00

## GUNS



PART NUMBER	MODEL	€
<b>3.018.22.011</b>	GUN MV925 280Bar 30Lit/min SW 3/8F	
<b>3.018.22.009</b>	GUN ML960 30 L/MIN 500 BAR	<b>260,00</b>

## GUNS



PART NUMBER	MODEL	€
<b>3.021.22.007</b>	GUN MV925 30 L/MIN 280 BAR INOX	<b>97,00</b>
<b>3.021.22.008</b>	GUN ML955 40 L/MIN 310 BAR	<b>104,00</b>

## GUNS



PART NUMBER	MODEL	€
<b>3.018.02.001</b>	GUN K1000 WITH HOSE M22	<b>42,00</b>

## GUNS



PART NUMBER	MODEL	€
<b>3.004.12.018</b>	HOBBY TRIGGER GUN M100 M22X1,5 4F	<b>88,00</b>

## GUNS



PART NUMBER	MODEL	€
<b>3.004.32.001</b>	PROFESSIONAL TRIGGER GUN M200 S/S 3/8"G-M 4F	<b>122,00</b>

## LANCES



PART NUMBER	MODEL	€
<b>3.022.12.036</b>	ATHERMIC LANCE L=700 SS WITH DOUBLE HEAD	<b>67,00</b>

## GUNS



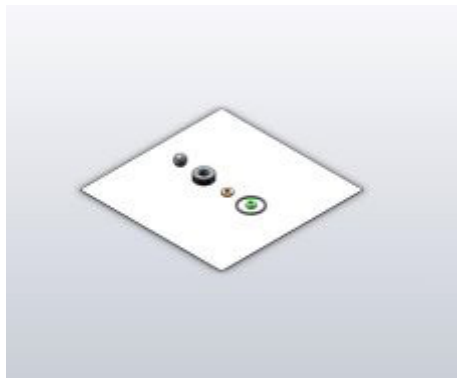
PART NUMBER	MODEL	€
<b>3.004.32.005</b>	PROFESSIONAL TRIGGER GUN M200 S/S 3/8"G-M T.R.	<b>136,00</b>

## LANCES



PART NUMBER	MODEL	€
<b>3.022.12.034</b>	ATHERMIC LANCE SC10 M22x1.5 L=700 INOX	<b>50,00</b>
<b>3.022.12.010</b>	LANCE JET-1 L1500 1/4NPT	<b>80,00</b>
<b>3.022.12.011</b>	LANCE JET-1 L1700 1/4NPT	<b>89,00</b>
<b>3.022.12.012</b>	LANCE JET-1 L2000 1/4NPT	<b>99,00</b>

## REPAIR KIT FOR GUN



PART NUMBER	MODEL	€
<b>9.010.02.001</b>	KIT REPAIR GUN M200	<b>15,00</b>

## REPAIR KIT FOR GUN

PART NUMBER	MODEL	€
<b>9.010.02.002</b>	REPAIR KIT FOR GUN MV925	<b>17,00</b>
<b>9.010.02.003</b>	REPAIR KIT FOR GUN MV955	<b>22,00</b>

## LANCES



PART NUMBER	MODEL	€
<b>3.022.12.038</b>	LANCE L.1200 INOX 500 bar	<b>201,00</b>

## LANCES



PART NUMBER	MODEL	€
3.020.22.040	EXTENSION ARCO L300 + T.R.M22X1,5 1/4"NPT	53,00
3.020.22.021	EXTENSION REGULABLE HEAD 1/4NPT M22X1.5 L.500 S.S.	53,00
3.020.22.043	EXTENSION ARCO L700 + T.R. M22X1 1/4"NPT	59,00

## LANCES

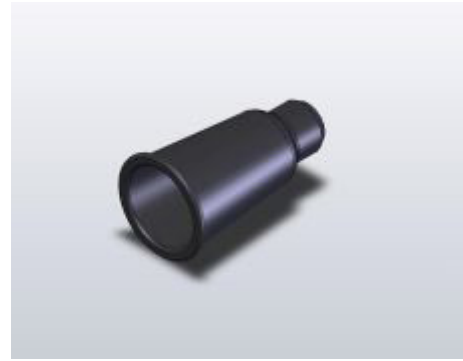
PART NUMBER	MODEL	€
3.020.02.007	LANCE M100 WITHOUT NOZZLE	13,00
3.020.02.018	LANCE M100 AR-B HEAD 4F UG1,3 GRI.	46,00
3.020.22.001	EXTENSION FAST-4 M300+ 4F WITHOUT NOZZLE	46,00
3.020.22.067	EXTENSION L.300 + 4F + HEAD + BAYONET	42,00
3.020.22.034	LANCE S.STEEL L.500 M22X1.5 + 4FUNCTIONS HEAD	46,00

## REGULATION HEAD



PART NUMBER	MODEL	€
3.005.02.002	HEAD 4 FUNCTIONS - WITHOUT NOZZLE	33,00
3.005.02.012	ADJUSTABLE HEAD 1\4"NPT	41,00

## PROTECTION



PART NUMBER	MODEL	€
1.046.02.005	NOZZLE PROTECTION	2,00
1.046.02.015	PROTECTION ADJUSTABLE HEAD MM	4,00

## VALVES



PART NUMBER	MODEL	€
3.003.32.004	FLOW REGULATION VALVE	50,00

## LANCES



PART NUMBER	MODEL	€
<b>3.020.02.008</b>	LANCE WITH ROTARY NOZZLE HOBBY H1000/K1020	<b>97,00</b>
<b>3.020.22.036</b>	LANCE S.STEEL L430 M22 ROTOJET 200 030	<b>151,00</b>
<b>3.020.22.030</b>	LANCE WITH ROTARY NOZZLE S.STEEL 200 040	<b>177,00</b>
<b>3.020.22.033</b>	LANCE WITH ROTARY NOZZLE S.STEEL 200 045	<b>177,00</b>
<b>3.020.22.032</b>	LANCE INOX L430 M22 ROTOJET 250 050	<b>177,00</b>
<b>3.020.22.061</b>	LANCE S.STEEL L430 M22 ROTOJET *055*	<b>177,00</b>
<b>3.020.22.037</b>	LANCE S.STEEL L430 M22 ROTOJET 200 060	<b>177,00</b>
<b>3.020.22.055</b>	LANCE S.STEEL L430 M22 ROTOJET *065*	<b>177,00</b>
<b>3.020.22.062</b>	LANCE S.STEEL L430 M22 ROTOJET 200 070	<b>177,00</b>
<b>3.020.22.056</b>	LANCE S.STEEL L430 ROTOJET 350 075	<b>373,00</b>
<b>3.020.22.053</b>	LANCE S.STEEL L430 M22 ROTOJET 250 080 - 25 L -	<b>177,00</b>
<b>3.020.22.060</b>	LANCE S.STEEL L430 M22 ROTOJET 400 10 W6000	<b>485,00</b>

## ROTOJET



PART NUMBER	MODEL	€
<b>3.005.02.021</b>	ROTATIVE NOZZLE 170 BAR OT - 035	<b>68,00</b>
<b>3.005.02.033</b>	ROTATIVE NOZZLE 250 BAR - 030	<b>118,00</b>
<b>3.005.02.023</b>	ROTATIVE NOZZLE 250 BAR - 040	<b>130,00</b>
<b>3.005.02.026</b>	ROTATIVE NOZZLE 250 BAR - 045	<b>130,00</b>
<b>3.005.02.025</b>	ROTATIVE NOZZLE 250 BAR - 050	<b>130,00</b>
<b>3.005.02.042</b>	ROTATIVE NOZZLE 250 BAR - 055 -	<b>130,00</b>
<b>3.005.02.032</b>	ROTATIVE NOZZLE 250 BAR - 060	<b>130,00</b>
<b>3.005.02.037</b>	ROTATIVE NOZZLE 250 BAR - 065	<b>130,00</b>
<b>3.005.02.043</b>	HEAD ROTOJET 250 BAR 070	<b>130,00</b>
<b>3.005.02.036</b>	ROTATIVE NOZZLE 250 BAR - 080	<b>130,00</b>
<b>3.005.02.055</b>	ROTOJET 400 BAR	<b>130,00</b>
<b>3.005.02.053</b>	ROTARY HEAD 500BAR UG.030	<b>891,00</b>

## ROTOJET



PART NUMBER	MODEL	€
<b>3.005.02.047</b>	ROTOJET 500 BAR - NOZZLE 040 1/4	<b>891,00</b>

## FOAM NOZZLE



PART NUMBER	MODEL	€
<b>3.005.02.050</b>	FOAM NOZZLE KOMPLET	<b>128,00</b>

## SAND BLASTING KIT



PART NUMBER	MODEL	€
<b>3.020.22.038</b>	SAND-BLASTING PROF.KIT D.1.4	<b>143,00</b>
<b>3.020.22.024</b>	SANBLASTING KIT PROF. D.1,5	<b>143,00</b>
<b>3.020.22.023</b>	SAND-BLASTING KIT D 1.6	<b>143,00</b>
<b>3.020.22.022</b>	SAND-BLASTING KIT D 1.7	<b>143,00</b>
<b>3.020.22.066</b>	SAND-BLASTING 500 BAR 80L	<b>762,00</b>

## LANCES



PART NUMBER	MODEL	€
<b>3.022.12.019</b>	LANCE DOUBLE PA M22X1.5 500mm	<b>81,00</b>
<b>3.022.04.001</b>	LANCE DOUBLE MV30+PROT+GRIP 1000mm	<b>78,00</b>
<b>3.022.04.002</b>	DOUBLE LANCE L=800 MV30	<b>74,00</b>

## SAND FOR SANDBLASTING



PART NUMBER	MODEL	€
<b>SABBIA 0,06</b>	SAND QUARTZ SPHERICAL GREY 0,06/0,25	<b>33,00</b>
<b>SABBIA 0,1</b>	SAND QUARTZ SPHERICAL GREY 0,01/0,5	<b>33,00</b>
<b>SABBIA 0,3</b>	SAND QUARTZ SPHERICAL GREY 0,3/0,9	<b>33,00</b>



## NOZZLES



PART NUMBER	MODEL	€
<b>1.031.12.008</b>	NOZZLE D.1.30 GREY	<b>3,00</b>
<b>1.031.12.010</b>	NOZZLE D.1,4 LIGHT GREEN	<b>3,00</b>

## NOZZLES



PART NUMBER	MODEL	€
<b>4.027.02.028</b>	NOZZLE SA1/4MEG 1504 S.STEEL	<b>18,00</b>
<b>4.027.02.029</b>	NOZZLE SA1/4MEG 2504 S.STEEL	<b>18,00</b>
<b>4.027.02.034</b>	NOZZLE SA 1/MEG 15045 S/S	<b>18,00</b>
<b>4.027.02.035</b>	NOZZLE SA1/4MEG 25045 S.STEEL	<b>18,00</b>
<b>4.027.02.007</b>	NOZZLE 1505 MEG 1/4	<b>18,00</b>
<b>4.027.02.001</b>	NOZZLE SA1/4MEG 2505 S.S	<b>18,00</b>
<b>4.027.02.040</b>	NOZZLE SA1/4MEG 15055 S.STEEL	<b>18,00</b>
<b>4.027.02.005</b>	NOZZLE SA1/4MEG 25055 S.STEEL	<b>18,00</b>
<b>4.027.02.044</b>	NOZZLE SA1/4 MEG 1506 S.STEEL	<b>18,00</b>
<b>4.027.02.050</b>	NOZZLE SA1/4MEG 15065 S.STEEL	<b>18,00</b>
<b>4.027.02.051</b>	NOZZLE SA1/4MEG 25065 S.STEEL	<b>18,00</b>
<b>4.027.02.056</b>	NOZZLE SA1/4MEG 1507 S.STEEL	<b>18,00</b>
<b>4.027.02.057</b>	NOZZLE SA1/4MEG 2507 S.STEEL	<b>18,00</b>
<b>4.027.02.070</b>	NOZZLE SA1/4MEG 15075 S.STEEL	<b>18,00</b>
<b>4.027.02.071</b>	NOZZLE SA1/4MEG 25075 S.STEEL	<b>18,00</b>
<b>4.027.02.073</b>	NOZZLE SA1\4MEG-1508 S.STEEL	<b>18,00</b>
<b>4.027.02.074</b>	NOZZLE SA1/4MEG 2508 S.STEEL	<b>18,00</b>
<b>4.027.02.080</b>	NOZZLE SA1/4MEG 1510 S.STEEL	<b>18,00</b>
<b>4.027.02.108</b>	NOZZLE G1/4M-1504 SS 500 BAR	<b>40,00</b>

## CONNECTIONS



PART NUMBER	MODEL	€
<b>3.012.12.010</b>	PLASTIC QUICK CONNECTION 3/4"	<b>15,00</b>



PART NUMBER	MODEL	€
<b>9.028.02.001</b>	INTAKE REDUCTION 3/4"g FOR "W" MODELS	<b>12,00</b>

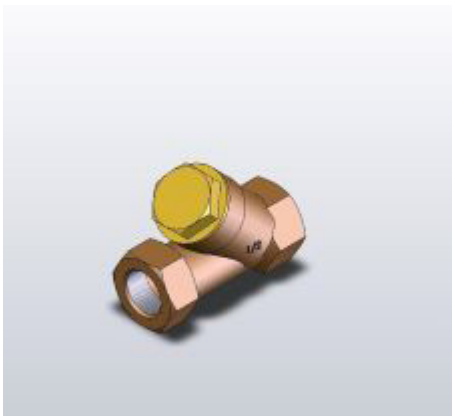
## FILTERS

PART NUMBER	MODEL	€
<b>3.032.04.007</b>	EXTERNAL FILTER WITH SALT NET	<b>23,00</b>
<b>3.032.04.002</b>	(SALT NOT INCLUDED) 3/4 "GAS	<b>76,00</b>

## FILTERS

PART NUMBER	MODEL	€
<b>1.115.04.001</b>	NATURAL FINE SALT OF WHITE POLYPHOSPHATE	<b>25,00</b>

## FILTERS



PART NUMBER	MODEL	€
<b>3.032.02.001</b>	FILTER "Y" 1/2G F\F 45 MESH	<b>18,00</b>

## FILTERS



PART NUMBER	MODEL	€
<b>3.032.02.004</b>	WATER FILTER MINI G1/2F 50SH 40l/min	<b>45,00</b>

## FILTERS

PART NUMBER	MODEL	€
<b>3.032.02.005</b>	BRASS FILTER "Y" 3/4"G-FF	<b>19,00</b>

## FILTERS



PART NUMBER	MODEL	€
<b>3.032.02.007</b>	WATERFILTER HOUSING WITH FILTER *PG3/4"-1/2"* 60MICR-ISALT NOT INCLUDED!	<b>55,00</b>

## FILTERS

PART NUMBER	MODEL	€
<b>2.043.04.001</b>	FILTER CHARGER H5*60 MICRON	<b>13,00</b>

## CONNECTIONS

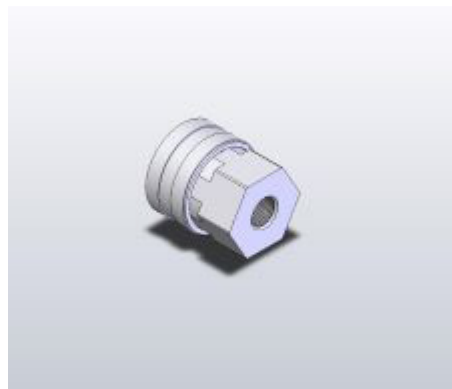
PART NUMBER	MODEL	€
<b>3.012.02.011</b>	CONNECTION 3PZ KEY M22X1,5 1/4"G-F	<b>20,00</b>
<b>3.012.02.004</b>	QUICK CONNECTION ARF 3p 3/8G-M x M22`C`	<b>20,00</b>

## CONNECTIONS



PART NUMBER	MODEL	€
<b>3.012.02.007</b>	CONNECTION 3PZ KEY M22X1,5 3/8"G-F	<b>20,00</b>

## CONNECTIONS



PART NUMBER	MODEL	€
<b>3.012.12.021</b>	QUICK CONNECTION 1/4F	<b>72,00</b>

## CONNECTIONS



PART NUMBER	MODEL	€
<b>3.012.02.014</b>	FIXED CONNECTION 3PZ KEY M22X1,5 1/2"G-M	<b>20,00</b>
<b>3.012.02.008</b>	FIXED CONNECTION 2PZ L KEY M22X1,5 1/8"G-F	<b>20,00</b>
<b>3.012.02.005</b>	CONNECTION A.R.F 2p 1\4G FxM22 `L`	<b>20,00</b>
<b>3.012.02.006</b>	QUICK CONNECTION L 2PC 1/4G-M	<b>20,00</b>

## CONNECTIONS



PART NUMBER	MODEL	€
<b>1.005.12.004</b>	QUICK SHORT STEEL MALE 3/8 "F	<b>29,00</b>

## CONNECTIONS



PART NUMBER	MODEL	€
<b>1.005.12.003</b>	QUICK CONNECTION MALE 1/4-F	<b>29,00</b>

## CONNECTIONS



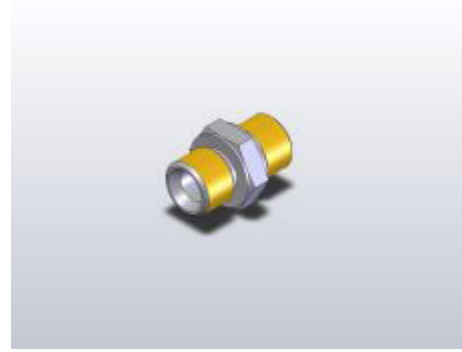
PART NUMBER	MODEL	€
<b>3.012.12.022</b>	QUICK CONNECTION S/STEEL 3/8 F	<b>72,00</b>

## CONNECTIONS



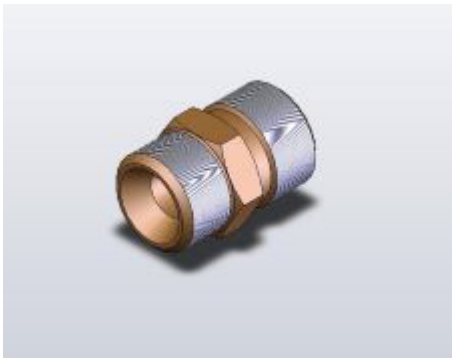
PART NUMBER	MODEL	€
3.012.12.006	FAST CONNECTION KEY 3/8"G-F	14,00
3.012.12.003	FAST CONNECTION KEY KEY 3/8"G-M	19,00
3.012.12.004	FAST CONNECTION KEY 1/2"G-M	19,00
2.021.02.001	PREMOUNTED CONNECTION	10,00
1.001.02.030	CONNECTION 3/4"G-3/8"G-MM	17,00
1.001.02.018	CONNECTION 1/4"G-M - M22X1,5	11,00
1.001.02.011	CONNECTION ARF G1/4-FxM22-M 'L'	10,00
1.001.02.004	CONNECTION ARF M22x1.5-3\8G-M	11,00
1.001.02.015	CONNECTION "C" KEY 3/8"G-F M22X1,5	6,00

## NIPPLES



PART NUMBER	MODEL	€
1.096.04.001	CONNECTION 3/8"G M-M ESAG.22	3,00
1.096.04.002	CONNECTION 3/8"G-M CIL. 3/8"G-M	12,00
1.096.04.003	CONNECTION G1/2 M-M EXAG.25	8,00
1.096.04.004	CONNECTION 3/4G M/M EX 32	12,00
1.001.34.003	CONNECTION 3/4"G	28,00
1.001.34.005	CONNECTION 1/4"-3/8" G M-M	23,00
9.009.02.002	CONNECTION FOR DOUBLE USE	130,00
1.001.14.001	CONNECTION KEY "L" 3/8GMM	26,00

## CONNECTIONS



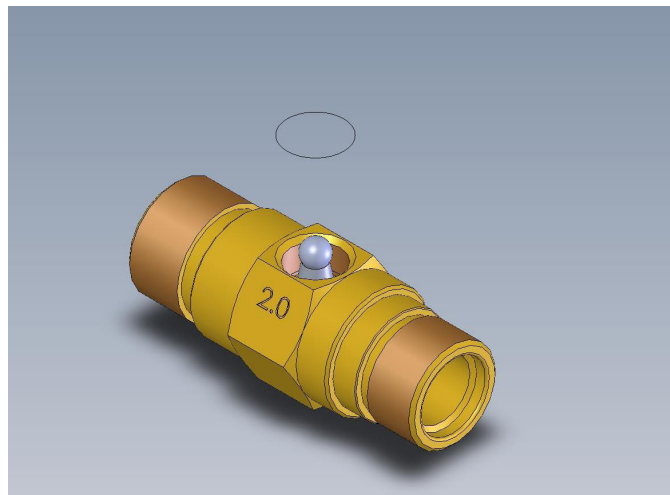
PART NUMBER	MODEL	€
1.001.02.016	CONNECTION "C" KEY 1/2"G-M M22X1,5	12,00
1.001.02.017	CONNECTION "C" KEY 1/2"G-F M22X1,5	14,00

## PRESSURE GAUGES



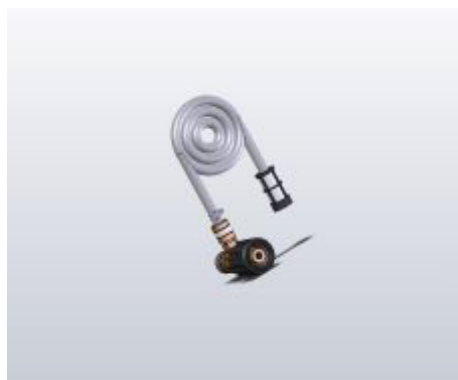
PART NUMBER	MODEL	€
4.020.04.001	PRESSURE GAUGE 0-400BARG1/4B MG+10%	20,00
4.020.04.005	GAUGE 0-600 BAR 1/4"	53,00
4.020.04.006	GAUGE S.STEEL D.40 0-300 1/4G	20,00
4.020.14.002	GAUGE D.50 0-400 INOX 1/4"G	24,00

## INJECTORS



PART NUMBER	MODEL	€
<b>3.016.02.012</b>	INJECTOR M22X1,5 - M20X1,5 MM FIXED 2,2	<b>26,00</b>
<b>3.016.12.008</b>	INJECTOR M22X1.5 M20X1.5MM REG.2.0	<b>44,00</b>
<b>3.016.12.012</b>	INJECTOR M22X1,5 M20X1,5 MM REG.2,2	<b>43,00</b>
<b>3.016.14.002</b>	INJECTOR M22X1,5 M20X1,5 MM REG 2,0 L90	<b>37,00</b>
<b>3.016.04.003</b>	INJECTOR M22X1,5 M20X1,5 MM FIX 2 L.90	<b>20,00</b>

## INJECTORS



PART NUMBER	MODEL	€
<b>3.016.14.005</b>	INJECTOR REG2.2 M22x1.5 M-ARF 3p M22'C'	<b>57,00</b>

## PESI E MISURE - WEIGHT & DIMENSIONS

MODEL	IMBALLO	CM.	KG.	PCS EACH PALLET	CM.	KG.	Serbat. Deterg. (L)	Serbat. gasolio (L)	Serbat. Antical. (L)
K1000	CARTONE / CARTON	60x80x85	24,5	15	120X80X185	292,5	4		
K2000	BANCALE / PALLET	60x80x75	38	8	120x90x130	264	4		
KB3001	BANCALE / PALLET	87x59x85	50	3	130x95x150	400	4		
KC3005	BANCALE / PALLET	75x60x74	60	3	75x60x231	180	4		
KC4005	BANCALE / PALLET	75x60x74	73	3	75x60x231	219			
KM300	BANCALE / PALLET	60x80x55	48	16	120x80x180	768			
KM350	BANCALE / PALLET	60x80x55	62	16	120x80x180	992			
KM400	BANCALE / PALLET	60x80x55	62	16	120x80x180	992			
KC5000	BANCALE / PALLET	120x80x105	132	2	120x75x210	264	4		
KC5050	BANCALE / PALLET	120x80x105	134	2	120x75x210	268	4		
KC6000	BANCALE / PALLET	120x80x105	138	2	120x75x210	276			
K5000	BANCALE / PALLET	120x80x105	125	2	120x75x210	250			
K6000	BANCALE / PALLET	120x80x105	125	2	120x75x210	250			
K7000	BANCALE / PALLET	120x80x105	125	2	120x75x210	250			
K8000-9000	BANCALE / PALLET	120x80x160	148	2	120x75x210	296			
KB4025	BANCALE / PALLET	120x80x105	130	2	120x75x210	260	5	6	
KS400	BANCALE / PALLET	66X100X92	83	8	120x80x210	550			
KS450	BANCALE / PALLET	66X100X92	83	8	120x80x210	550			
KS500	BANCALE / PALLET	66X100X92	85	8	120x80x210	550			
KS600	BANCALE / PALLET	66X100X92	85	8	120x80x210	550			
KSF400	BANCALE / PALLET	100x65x100	130	2	100x65x200	260			
KSF500	BANCALE / PALLET	100x65x100	130	2	100x65x200	260			
KSF600	BANCALE / PALLET	100x65x100	130	2	100x65x200	260			
KXS	BANCALE / PALLET	120x80x115	330	2	120x80x230	700			
KXSB	BANCALE / PALLET	120x80x115	220	2	120x80x226	445			
KX4055	BANCALE / PALLET	75x60x77	75	3	75x60x228	220			
PH1000	BANCALE / PALLET	100x65x100	70	2	100x65x200	140	4	20	
PH2000	BANCALE / PALLET	87x59x85	90	2	87x59x170	180	8	18	
PH3025	BANCALE / PALLET	120x80x104	130	2	120x75x208	260	10	45	
PH3040	BANCALE / PALLET	120x80x104	155	2	120x75x208	310	10	45	1
PH3060	BANCALE / PALLET	120x80x104	160	2	120x75x208	320	10	45	1
PH4000	BANCALE / PALLET	120x80x104	175	2	120x75x208	350	10	45	1
MH3001	BANCALE / PALLET	100x65x100	135	2	100x65x200	230		20	
MH3061/4000	BANCALE / PALLET	100x65x100	135	2	100x65x217	289		20	
W4000	BANCALE / PALLET	120x80x113	200	2	120x80x226	400	16	30	1,5
W5000	BANCALE / PALLET	120x80x113	220	2	120x80x226	440	16	30	1,5
W5050	BANCALE / PALLET	120x80x113	237	2	120x80x226	474	16	30	1,5
W6000	BANCALE / PALLET	120x80x113	264	2	120x80x226	528	16	30	1,5
WX4000	BANCALE / PALLET	150x100x118	260	2	150x85x230	520	16	30	1,5
WX5000	BANCALE / PALLET	150x100x118	280	2	150x85x230	560	16	30	1,5
WX6000	BANCALE / PALLET	150x100x118	324	2	150x85x230	648	16	30	1,5
ST4000	BANCALE / PALLET	120x80x104	178	2	120x75x208	356			
WD6050	BANCALE / PALLET	150x120x150	630	1					
WSF4000	BANCALE / PALLET	150x100x120	270	1	---	---			
WSF4050	BANCALE / PALLET	150x100x120	270	1	---	---			
WSF5000	BANCALE / PALLET	150x100x120	270	1	---	---			
WSF6000	BANCALE / PALLET	150x100x120	270	1	---	---			

FIREBOX 15-25I	PALLET	66x80x117	120	1
FIREBOX 30 L	PALLET	90X72X125	155	1



#### CONDITIONS OF SALES:

- 1) **ORDERS.** While the order undersigned by the client is binding, Mazzoni its reserves the faculty to non accept it, giving written communication to the client within 3 days from the reception of the order. The orders taken through Mazzoni s.r.l. agents, representatives or salesmen are always subject to the unobjectionable discretion of the same Mazzoni s.r.l. Consequently, the above-mentioned orders shall be considered binding only after a written confirmation of the order is drawn up by Mazzoni s.r.l.
- 2) **PRICES.** Prices are intended for cash payment, without V.A.T. and possible expenses for taxes and duties always and entirely paid by the Buyer even if applied during the performance of the contract. The prices may be subject at any time to variations on the part of Mazzoni.
- 3) **DELIVERY.** The delivery term expressly indicated in the order and set at the closing of the contract is understood as terms of shipment of the goods from the factory. The date of shipment is understood as approximate and is not binding with respect to the Vendor, in particular, for delays caused by acts of God. If the company Mazzoni s.r.l. is not in condition to respect it, it will give communication to the client. Any delays in the processing of orders do not give rise to the Purchaser's right to compensation, penalties or other rights.
- 4) **TRANSPORT.** Ex-works, packaging included. Transport and insurance costs are not included in the price list. Every cost and risk deriving from the transport of the goods from Mazzoni to the customer's warehouse is born by the latter. For goods shipped by carrier: claims for damaged or missing goods can only be investigated when recorded on carrier's note. Before signing carrier's note check for any damage; check number of packages received and record any damages or discrepancies on the carrier's note. After signing carrier's note: check all items against enclosed delivery note; Telephone: (+39 0522 575156) for copy of delivery note if necessary; notify us by e-mail : [info@e-mazzoni.it](mailto:info@e-mazzoni.it) of any damages or discrepancies. Damages and discrepancies can only be investigated if reported by e-mail [info@e-mazzoni.it](mailto:info@e-mazzoni.it) , writing within 2 working days. Please include a copy of our delivery note and your name.
- 5) **CLAIMS AND COMPLAINTS** - The buyer is responsible for checking the goods immediately after having received them. The goods will be considered fully accepted after 8 (eight) days from their arrival to destination. Any claims related to the quality of the goods, under penalty of lapse, must be sent in writing to e-mail [info@e-mazzoni.it](mailto:info@e-mazzoni.it) to Mazzoni s.r.l., within 8 (eight) days from the date of acceptance of the same goods. In case of claims related to running defects, and which can be verified only by operating the product, the conditions for presenting the written claim are within 30 (thirty) days from the date of acceptance of the goods (the document of shipment will bear witness). In case the claim is accepted as valid, Mazzoni s.r.l. will be responsible solely for replacing or repairing the parts, while any other form of indemnity and transport costs are excluded. Claims for any delays or damages caused by the shipping must be addressed to the carrier, upon delivery of the goods, making a written reserve on the same document of shipment which must then be notified immediately, in copy, to Mazzoni s.r.l.
- 6) **RESHIPMENT OF GOODS.** Mazzoni S.r.l. does not accept the return of goods without its previous preventive and written authorization. On the document of transport for the return it has always to be mentioned in exhaustive way the reason of the return. In case of wrong order, goods can be returned without shipment charges and at the Buyer's risk only if perfectly complete, packed and not used. In any case will be effected a 7% reduction on net price shown on invoice.
- 7) **GUARANTEE.** Mazzoni's products are guaranteed for the duration of 12 months given off date of shipment. The guarantee consists in the free substitution of parts that result defectives. Mazzoni s.r.l. is not responsible of consequential defects by improper installation, incorrect use, vandal damages, natural catastrophes or action of war, normal deterioration, inexperience or incompetence in the use and application. The guarantee does not cover tampering defects, reparations or changes made by non-authorized firms. The company has the faculty to value the nature of the problem and

to charge the intervention of restoration costs to the client, if the defect has origin from one of the causes foreseen before.(see user manual). The transport for the components to be repaired or replaced are at charge of the buyer. For components not produced from Mazzoni warranty us limited to the one recognised from its suppliers.

8) **INSTALLATION AND TEST** - Installation of the equipment and spare parts marketed by Mazzoni s.r.l. and the related electric and water hook-ups will be charged to the Buyer. Any operations on the part of a Mazzoni s.r.l. qualified technician for the equipment's initial running test, has to be discussed at the moment of the order and will be billed separately.

9) **RESPONSIBILITY**. The responsibility of the product is the one foreseen by the international normative. Mazzoni is not responsible for damages to people or things originated from improper use or installation, bad maintenance, use of non fit fuels, use of electrical power, tampering or sabotage, or defects non attributable to the engineering or manufacturing to the product.

10) **PROPERTY**. Our company reserves the ownership of the products since the integral payment of the price. The goods will have to remain in the delivery place since the integral payment.

11) **PAYMENT**. The payment of the invoices has to be effected to Mazzoni s.r.l. If not specified the company is authorized to issue draft or bank receipt. The non-payment of that forces the client to make the whole payment to Mazzoni s.r.l.. In case of delay of payment Mazzoni s.r.l. will apply the interests increased of 4%.

12) **RETENTION OF TITLE**. The object of the sale goods remain the exclusive property of the seller until full payment of the agreed price as required by art. 1523 of the Civil Code.

13) **SPECIFICATIONS**. Technical specifications indicated in the present pricelist are not binding on the manufacturer. Mazzoni s.r.l. reserves the right do make changes to the products that are considered as appropriate, without notice and without giving rise to the right to compensation or claims on the part of the purchaser.

14) **ARBITRATION CLAUSE**. Every controversy started from the interpretation or from the execution of the contract will be devolved to the competence of the Court of Reggio Emilia.

#### ATTENZIONE / WARNING

La ditta MAZZONI S.r.l si riserva il diritto di apportare modifiche al presente listino generale ed alle caratteristiche tecniche delle macchine prodotte senza alcun preavviso.

MAZZONI S.r.L. reserves the right to make modifications to this general price list and to the technical specifications of the appliances produced without any previous notice.

#### 15) **ONLINE PRICE**

Regarding websites and web platforms (eg Ebay, Alibaba, Amazon etc.), the visible price online must be not less than the list price communicated by the company. Also with regard to online promotions, the discounted price must not be lower than the price list. The inclusion of prices online must be communicated to the manufacturer, for information, within 5 days of insertion.

#### 16) **SELLING PRICE**

The actual selling price to the end user must not be less than price list minus 15% discount.